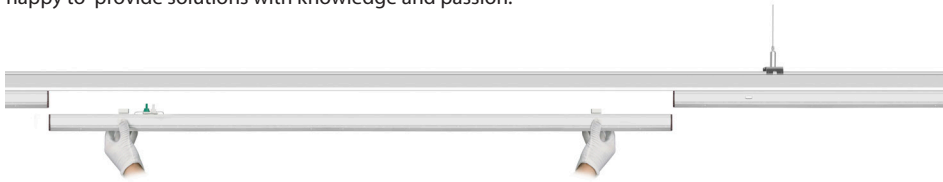


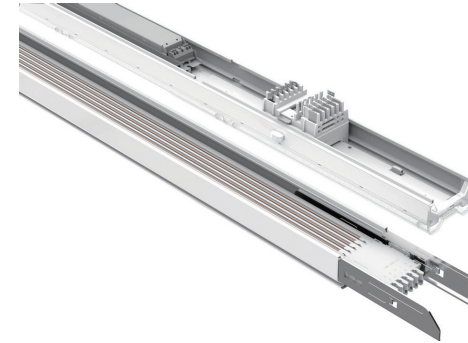


Our Linear Lighting System is a high performance system and offers maximum lighting flexibility. Unique structure design for interior or exterior of linear lighting system. For dynamic and scene setting applications a wide choice of controls can be used with Linear Lighting System. Overall Linear Lighting System range is the optimal solution for conventional LED lighting system and also excellent for new installations due to its low installation cost & energy saving - everything in one box and installation is tool-less. It saves both time and costs when installing and to deliver the right level of led light in the right place at the right time. Based on philosophy and depth of LED knowledge we are constantly working on improving the system. We are happy to provide solutions with knowledge and passion.



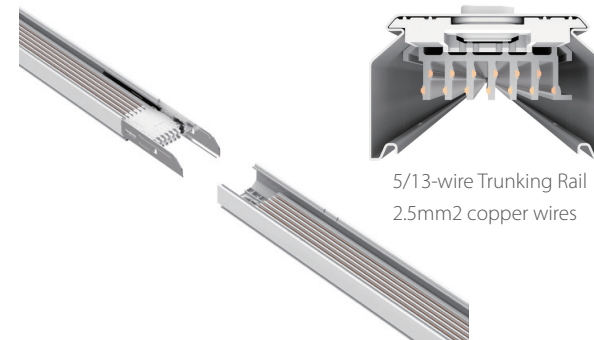
Benefits & Features

- To match your requirements we have 2 standard sizes 0.6 meter, 1.5 meters, and 2 colors as white and black.
- Linear Lighting System is energy saving, tool less & low maintenance. It saves both time, labor & cost.
- Linear Lighting System is the ideal choice for enhancing places with perfect light details.
- Linear Lighting System lighting forms complement of transform light into perfect living condition day and night.



Parameter

Dimension: H77 \* W65 (mm)  
 5F: 40w / 50w / 65w / 80w  
 Trunking Rail: 5F / 8F / 10F / 15F / 16F  
 160 lm/w (Optional: 180 lm/w)  
 CRI > 80 (Optional: > 90)



Design

- Modularization
- Flexible movement
- Instant connection
- Trunking rail with copper wires
- Seamless continual connection

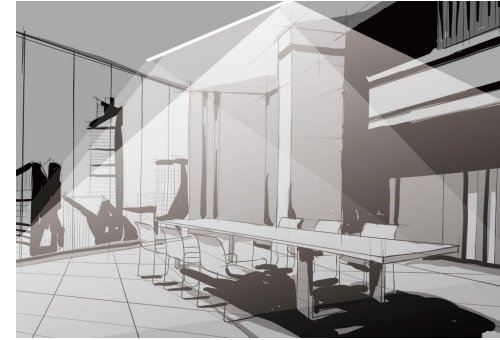


Function

DALI 2.0 / DALI DT8  
 Emergency modules, Track rail module: 2F / 5F  
 Spotlight module: customizable  
 Sensor module: DALI / Daylight / Motion  
 Daisy module: 80W Max



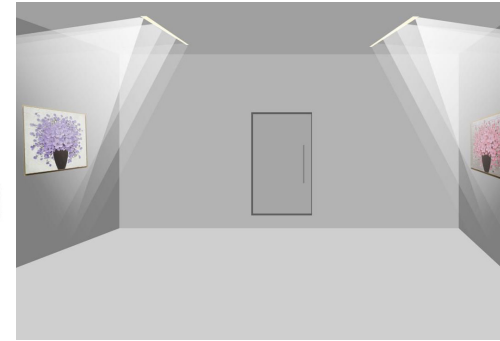
25°  
UGR < 16  
Efficiency 160 - 180 lm/W  
CRI > 80 - 90



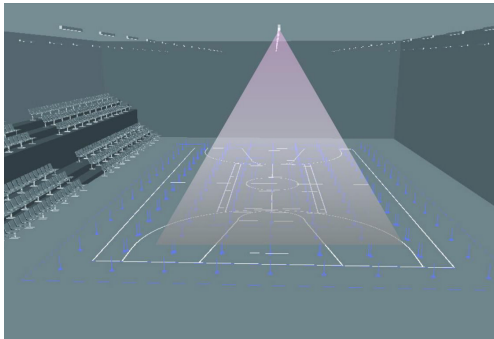
120°  
UGR < 19  
Efficiency 160 - 180 lm/W  
CRI > 80 - 90



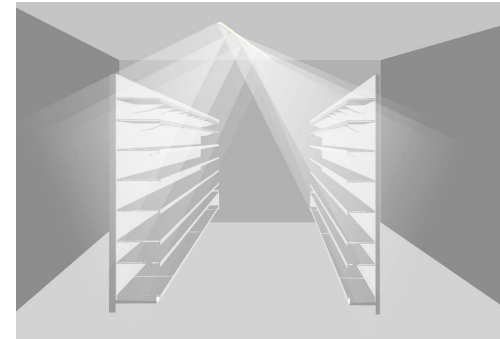
60°  
UGR < 19  
Efficiency 160 - 180 lm/W  
CRI > 80 - 90



Double Asymmetric  
Angle  
UGR < 19  
Efficiency 160 - 180 lm/W  
CRI > 80 - 90

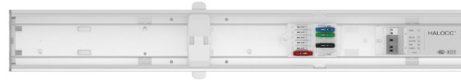


90°  
UGR < 19  
Efficiency 160 - 180 lm/W  
CRI > 80 - 90



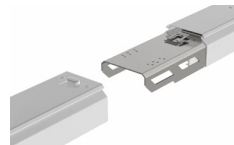
Double Asymmetric  
Angle  
UGR < 19  
Efficiency 160 - 180 lm/W  
CRI > 80 - 90

Luminaire Module (Linkable)

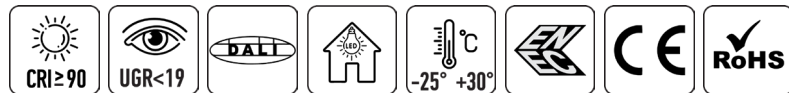


Dimensions (LxWxH)	Power	Efficiency	Lumen	CCT	CRI
5FT 1410x65x36 mm	40 W	160 lm/W	6400 lm	2700 K - 6500 K	> 90
	50 W		8000 lm		
	65 W		10400 lm		
	80 W		12800 lm		

Trunking Rail (Linkable)



Dimensions	Description
1525x65x43 mm	5F / 5 wires / Basic Lighting
	5F / 6 wires / Basic Lighting / Built-in Battery Emergency
	5F / 7 wires / Basic Lighting + Dimming
	5F / 8 wires / Basic Lighting + Dimming + Built-in Battery Emergency
	5F / 11 wires / Basic Lighting + Dimming + 2xUPS Emergency



Accessory



L Type Connector  
4 types configuration



T Type Connector  
8 types configuration



X Type Connector  
6 types configuration

Function Module



Emergency Module

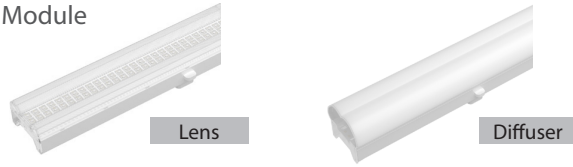


Spotlight Module

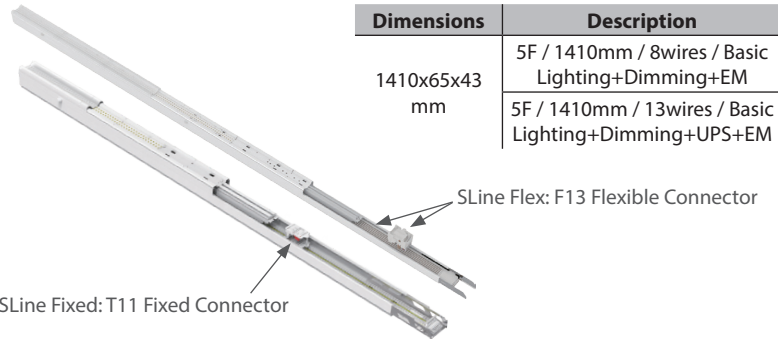


Track Rail Module

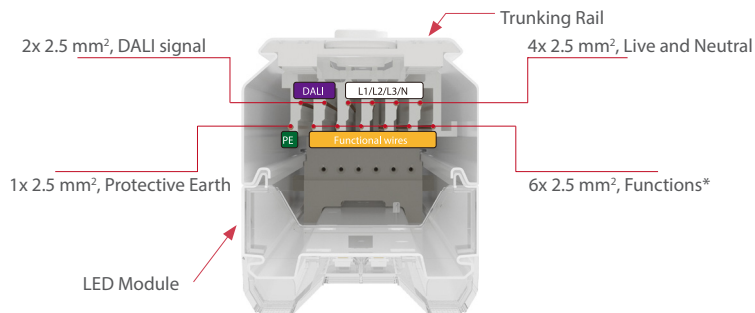
Flexible Luminaire Module  
(Linkable)



Dimensions (LxWxH)	Power	Efficiency	Lumen	CCT	CRI
4F / 1129x65x36 mm	60 W	180 lm/W	11100 lm	2700 K	> 80
5F / 1410x65x36 mm	80 W		14800 lm		
6F / 1691x65x36 mm	85 W	185 lm/W	14800 lm	6500 K	
8F / 2253x65x36 mm	100 W		18500 lm		

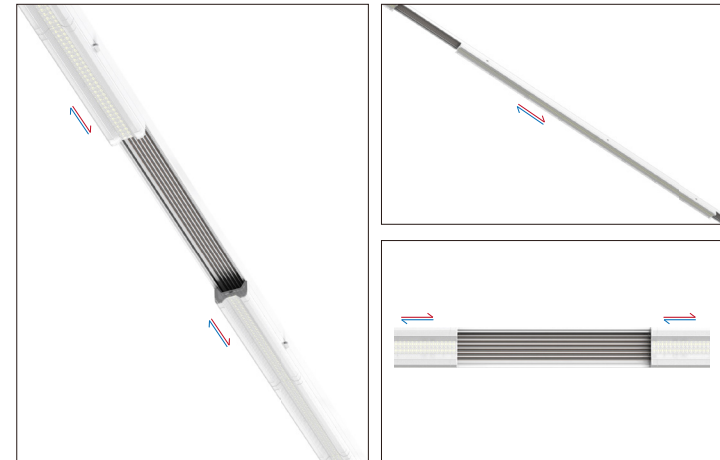


Dimensions	Description
1410x65x43 mm	5F / 1410mm / 8wires / Basic Lighting+Dimming+EM
	5F / 1410mm / 13wires / Basic Lighting+Dimming+UPS+EM



Functions\*: Battery built-in emergency, Unstopped power supply, or other customizable functions.

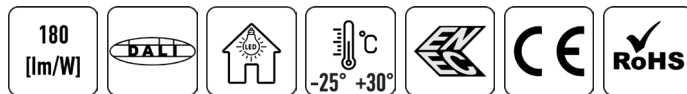
Flexible Position



High efficiency lighting system



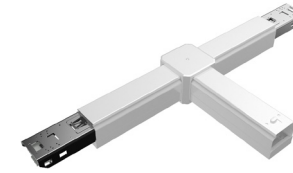
Dimensions (LxWxH)	Power	Efficiency	Lumen	CCT	CRI
600 mm / 1500 mm / 3000 mm / 4500 mm	1500 mm - 35 W / 40 W / 45 W / 50 W	180 lm/W	max 9000	3000 K	> 80
	1500 mm - 55 W / 60 W / 65 W / 70 W		max 12600	6000 K	



Accessories



L Type Connector  
4 types configuration



T Type Connector  
8 types configuration



X Type Connector  
6 types configuration



Sensor Module



Wireless Sensor



Spotlight Module



Exit Sign Module





Track light CRI>90 B

Nr.	Dimensions (LxWxH)	Power	Efficiency	Lumen	CCT	CRI
1.1.	65x135	10 W	≥100 lm/W	1000 lm	3000 - 6000 K	> 90
1.2.	85x160	40 W	≥100 lm/W	4000 lm	3000 - 6000 K	> 90



Track light zoom

Nr.	Dimensions (LxWxH)	Power	Efficiency	Lumen	CCT	CRI
2.1.	Ø 50x160	10 W	≥100 lm/W	1150 lm	3000 - 6000 K	> 90
2.2.	Ø 94x191	42 W	≥115 lm/W	4830 lm	3000 - 6000 K	> 90



UGR<19 CCT adjustable led track light

Nr.	Dimensions (LxWxH)	Power	Efficiency	Lumen	CCT	CRI
3.		10-33 W	100 lm/W	1000 - 3300 lm	3000 - 4000 K	>90



Beam angle adjustable round led track light

Nr.	Dimensions (LxWxH)	Power	Efficiency	Lumen	CCT	CRI
4.		10 W	120 - 130 lm/W	1200 - 1300 lm	3000 - 4000 K	>90



LED linear track light

Nr.	Dimensions (LxWxH)	Power	Efficiency	Lumen	CCT	CRI
5.1.	370x60x105 mm	27 W	≥130 lm/W	3 510 lm	3000 - 5000 K	>90
5.2.	500x60x105 mm	54 W	≥130 lm/W	7 020 lm	3000 - 5000 K	>90



Series power / CCT adjustable

Nr.	Dimensions (LxWxH)	Power	Efficiency	Lumen	CCT	CRI
6.1.	370x60x105 mm	30-60 W	100 lm/W	3000 lm	3000 - 5000 K	>90
6.2.	500x60x105 mm	30-60 W	100 lm/W	6000 lm	3000 - 5000 K	



Tracklight L

Nr.	Dimensions (LxWxH)	Power	Efficiency	Lumen	CCT	CRI
7.1.	140x33x95	10 W	≥100 lm/W	1000 lm	3000 - 6000 K	> 90
7.2.	135x100x35	30 W	≥130 lm/W	3000 lm	3000 - 6000 K	> 90



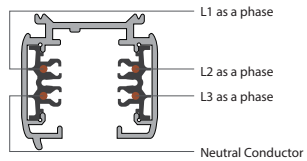
Track light storetrack

Nr.	Dimensions (LxWxH)	Power	Efficiency	Lumen	CCT	CRI
8.1.	500x60x105 mm	54 W	≥145 lm/W	7830 lm	3000 - 5000 K	> 90
8.2.	580x190x116	54 W	≥145 lm/W	7830 lm	3000 - 5000 K	> 90

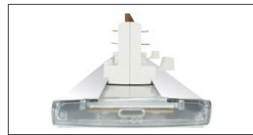
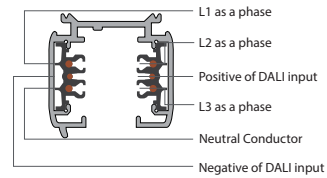
Track line system



European standard--4 wires / 3 phases



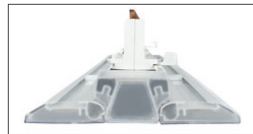
European standard with DALI function--6 wires / 3 phases + DALI



Single tiltable, tilting range: 30°



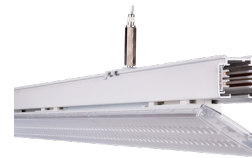
Twin tiltable wings, tilting range: 30°



Twin wings can be tiltable individually or simultaneously through 30° while the central linear light can't be tilted



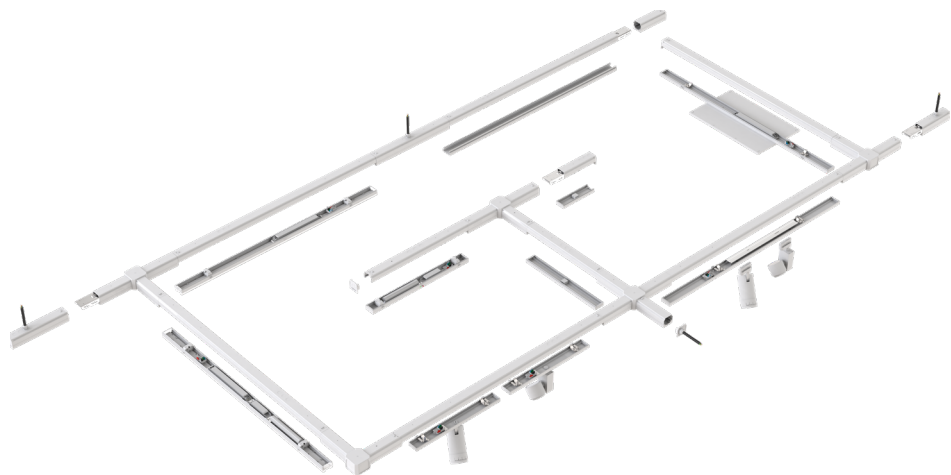
Length	Power	Efficiency	Beam angle	Adjustable Driver	CCT	CRI
600 mm; 1500 mm	20W; 50W	160 lm/W	120°	14W / 16W / 18W / 20W / 35W / 40W / 45W / 50W	2700 K - 6500 K	>90



Length	Power	Efficiency	Beam angle	Adjustable Driver	CCT	CRI
600 mm; 1500 mm	20W; 50W	160 lm/W	30°, 60°, 90°	14W / 16W / 18W / 20W / 35W / 40W / 45W / 50W	2700 K - 6500 K	>90



Length	Power	Efficiency	Beam angle	Adjustable Driver	CCT	CRI
600 mm; 1500 mm	20W; 50W	160 lm/W	double asym- metric	14W / 16W / 18W / 20W / 35W / 40W / 45W / 50W	2700 K - 6500 K	>90

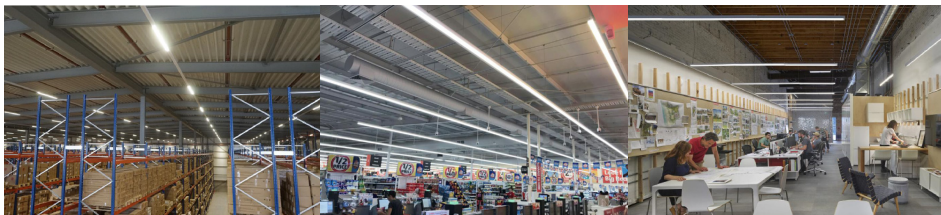


Characteristics:

- Low UGR: UGR<19(30°&60°&D25°), UGR<25(90°)
- Saving energy: up to180lm/w luminous efficacy;
- Saving installation costs: Modularization, tool-free;
- Saving maintenance costs: 5 years warranty;
- Controllable: DALI dimming / 0-10V dimming / Tunable White;
- Linkable system: Seamless connection;
- Multiple beam angle: 30°, 60°, 90°,130°, Double 25°, Asymmetric Left/Right 25°



Supermarket Warehouse Workshop Architecture



Mūsų klientai naudojantys šias sistemas:



LEDlife  
 UAB "BY & N"  
 Oršos g. 7-402, LT-09300 Vilnius  
 Raudondvario pl. 91-211, LT-47184 Kaunas  
[www.ledlife.lt](http://www.ledlife.lt)

Telefono nr.  
 +370 5 250 2700  
 +370 623 05515  
 +370 614 47575  
[info@ledlife.lt](mailto:info@ledlife.lt)